

HARDSCAPE 6 LED WITH BRACKET

2700K Warm White	3000K Pure White	4200K Cool White
15746 AZT27	15746 AZT30	15746 AZT42
15746 BBR27	15746 BBR30	15746 BBR42
15746 CO27	15746 CO30	15746 CO42
15746 GRY27	15746 GRY30	15746 GRY42
15746 SD27	15746 SD30	15746 SD42
15746 WHT27	15746 WHT30	15746 WHT42

AZT - Textured Architectural Bronze (Marine grade powder coat)
 BBR - Bronzed Brass
 CO - Unfinished Copper
 GRY - Textured Gray (Marine grade powder coat)
 SD - Textured Sand (Marine grade powder coat)
 WHT - Textured White (Marine grade powder coat)

Cast Aluminum, Cast Brass, Copper Plated Brass (Copper will naturally patina over time)

6 Integrated High Output Nichia® LEDs, tightly binned for color uniformity, and constant current driver

55°

2700K (-280/+0) 3000K (-200/+175) 4200K (-400/+400) / 80s CRI

1.4 W, 2.4 VA
 Multiply fixture VA by the number of fixtures used to determine size of transformer

9V-15V AC/DC with no loss in output due to constant current technology

Tested to an L-70 of 40,000 hours

2700K = 69.5 Lm 2700K = 49 Lm/W
 3000K = 88 Lm 3000K = 63 Lm/W
 4200K = 101.5 Lm 4200K = 73 Lm/W

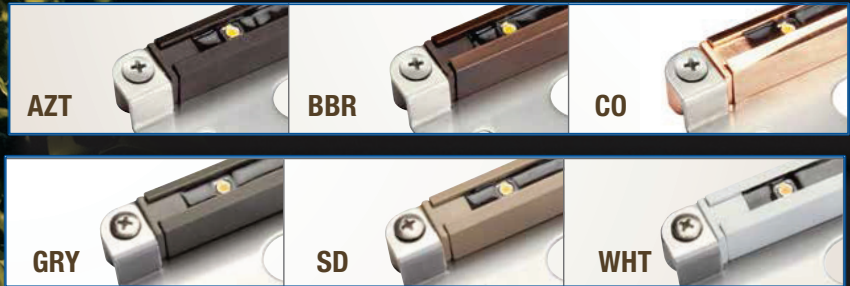
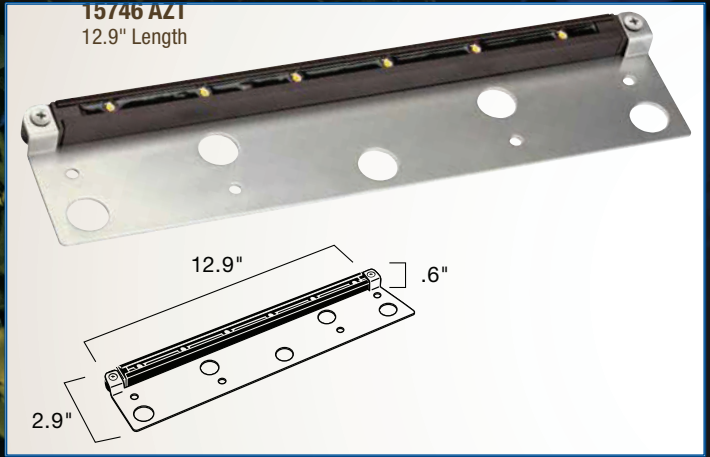
70" of usable #18-2, SPT-1W leads. Pro series wire connectors supplied

Stainless steel masonry bracket and mounting screws

15718 SS - 6 LED Accessory Bracket

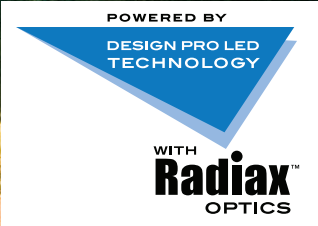
Subjected to Highly Accelerated Life Testing - 3rd party reliability testing
 Not for use with electronic transformers

Mounting Height	0'	1'	2'	3'	4'
foot candles at 12"	65.10	9.74	0.60	0.22	0.14
foot candles at 24"	19.64	9.15	2.72	0.48	0.24
foot candles at 36"	9.16	5.82	2.74	1.00	0.30



WT746

Guaranteed not to burn out for 15 years (10 commercially)



Professional-grade LED lighting and system components, designed and engineered for optimum all-weather performance with natural lighting effects, deliver professional results.



Enhance The Night - www.landlight.ca